

# Controller used for cash desk engine with photocell

# G-508-P00



G-508-P00

G-508-P00

G-508-P00



## APPLICATION

The G-508-P00 is a controller used for cash desk engine with photocell.

Executive module is prepared for installation on the TS-35 DIN rail. The control panel can be installed on the case of the device, in desired position, and connected with the main module using tape.

Below mentioned devices can be connected to the controller: desk engine, light, emergency switch, foot-lever, photovoltaic emitter and receiver. Second engine connection is an option.

## PROPERTIES

- Case practical design
- Simple and clear method of programming and maintenance
- Two module construction, (executive module + control panel)
- Possibility to directly connect devices operating under 230V
- Softstart – feature of engine start
- Softstop – feature of engine stop
- Sound signal for the alarm
- Provides storage of all controller settings while loss of power supply

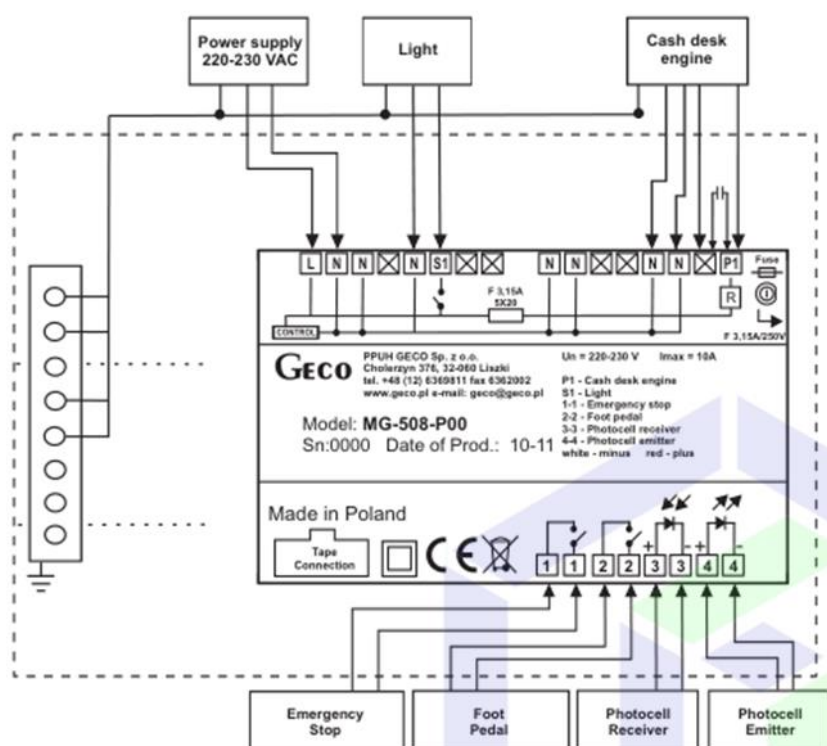
## TECHNICAL DATA

OUTPUT	RELAY	MAX CONSTANT LOAD		
P1 - Cash desk engine	16A	4A	1HP	750W
S1 - Light	16A	4A	1HP	750W

INPUT	
1-1 Emergency stop	3-3 Photocell receiver
2-2 Foot pedal	4-4 Photocell emitter

Power supply	~230V AC +10% / -15%
Temperature ranges	from +5°C to + 40°C
Humidity	20% + 80% RH
Protection level	IP65 front side of the control panel

## DIAGRAM OF CONNECTIONS



## SET CONTENT

Standard set:

1. Executive module  
MG-508-P00
2. Control panel  
PG-508-P00
3. Tape connecting the control panel with the executive module
4. Photocell

## PARAMETERS DESCRIPTION

Table of service parameters used to set the required operation of the controller.

Parameter	Parameter description	Parameter range	Factory presets
C0	Time extension of the engine after passing the automat or attached pedal or photocell	2+99 s	20 s
C1	Time of turning on the bulb in blinking mode (16=1sec)	8+48	16(1s)
C2	Time of turning off the bulb in blinking mode (16=1sec)	8+48	16(1s)
C3	Parameter to configure state of active emergency stop: 0 - switch normally open 1 - switch normally closed	0+1	0
C4	Parameter to configure state of active foot pedal: 0 - switch normally open 1 - switch normally closed	0+1	0
C5	Photocell sensitivity (if 0 - no photocell signal also in auto mode)	0+50	10
C6	Time of softstart (if 0 - no softstart)	0+10	4(1s)
C7	Minimal speed of cash desk engine	25+50	30
C8	Time of softstop (if 0 - no softstop)	0+10	4(1s)
C9	Miximal speed of cash desk engine (99 - engine full speed)	51+99	99
D4	Photocell filter	1+19	1

G-508-P00

G-508-P00

G-508-P00