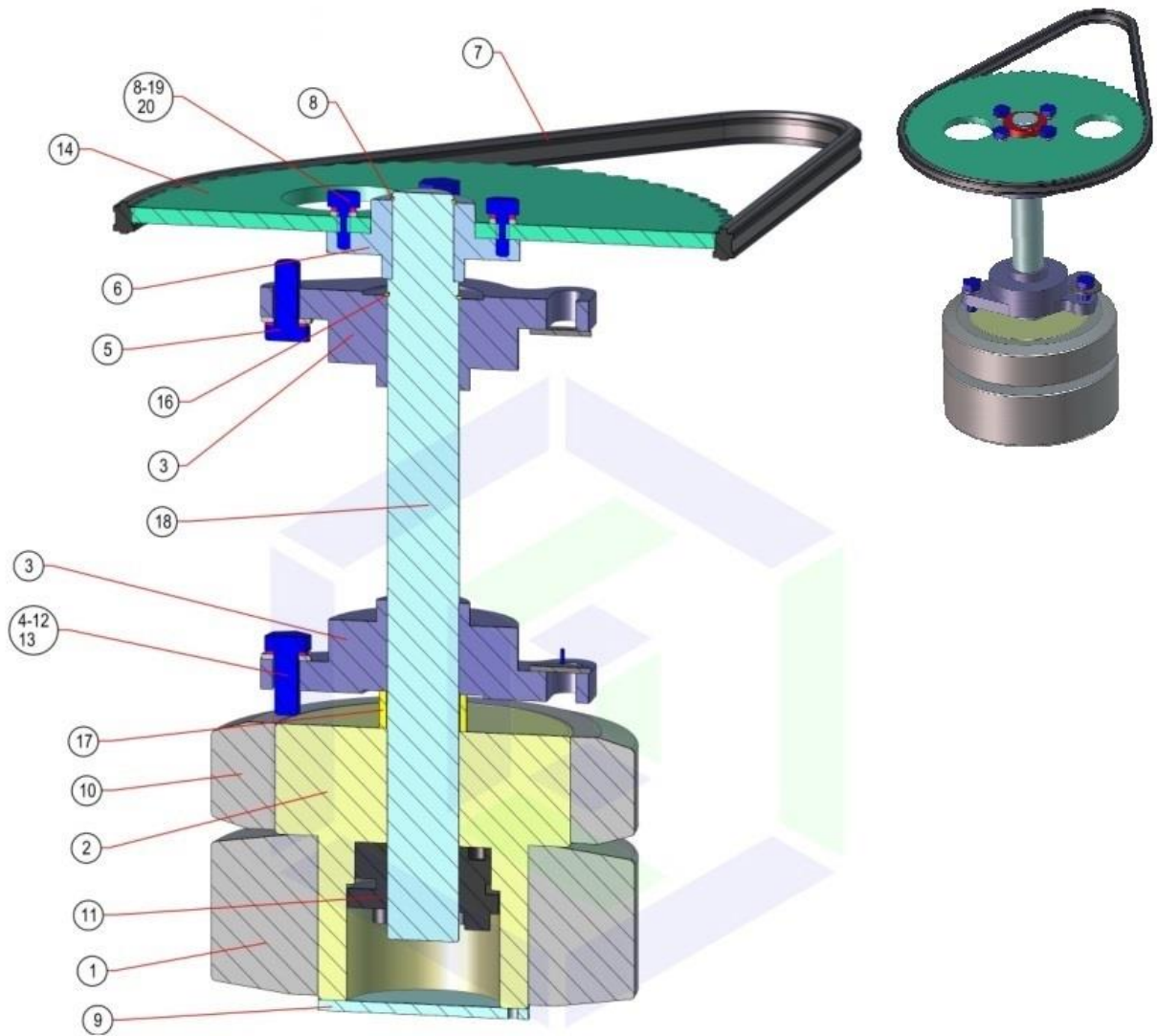


## Узел фрикционного привода дежи



Pos	Désignation	Nbr	Code
	Key shaft	1	BCL080730
1	Rubber ring	1	BVBC01154
2	Bearing for rubber ring	1	BVB163029
3	Bearing	2	BVBC00250
4	Washer	4	BVBC00086
5	Washer	2	BVBC00075
6	Support	1	BVB163024
7	Simple chain	1	BVBC01299
8	Circlips	1	BVBC00057
9	Protection disc	1	BVB142021
10	Rubber ring	1	BVBC01153
11	Binder	1	BVBC01212
12	Washer	2	BVBC00205
13	Screw	4	BVBC00009
14	Crown	1	BVB157013
15	Screw	4	BVBC00576
16	Circlips	1	BVBC00246
17	Brace	1	BVB143042
18	Shaft	1	BVB100070
19	Washer	4	BVBC00521
20	Washer	4	BVBC00073